

MATERIALS AND FINISHES

PART # 73415-1690

BODY: BRASS  
PLATED: NICKEL

CONTACT: BeCu  
PLATED: GOLD

INSULATOR: TEFLON

PART # 73415-1691

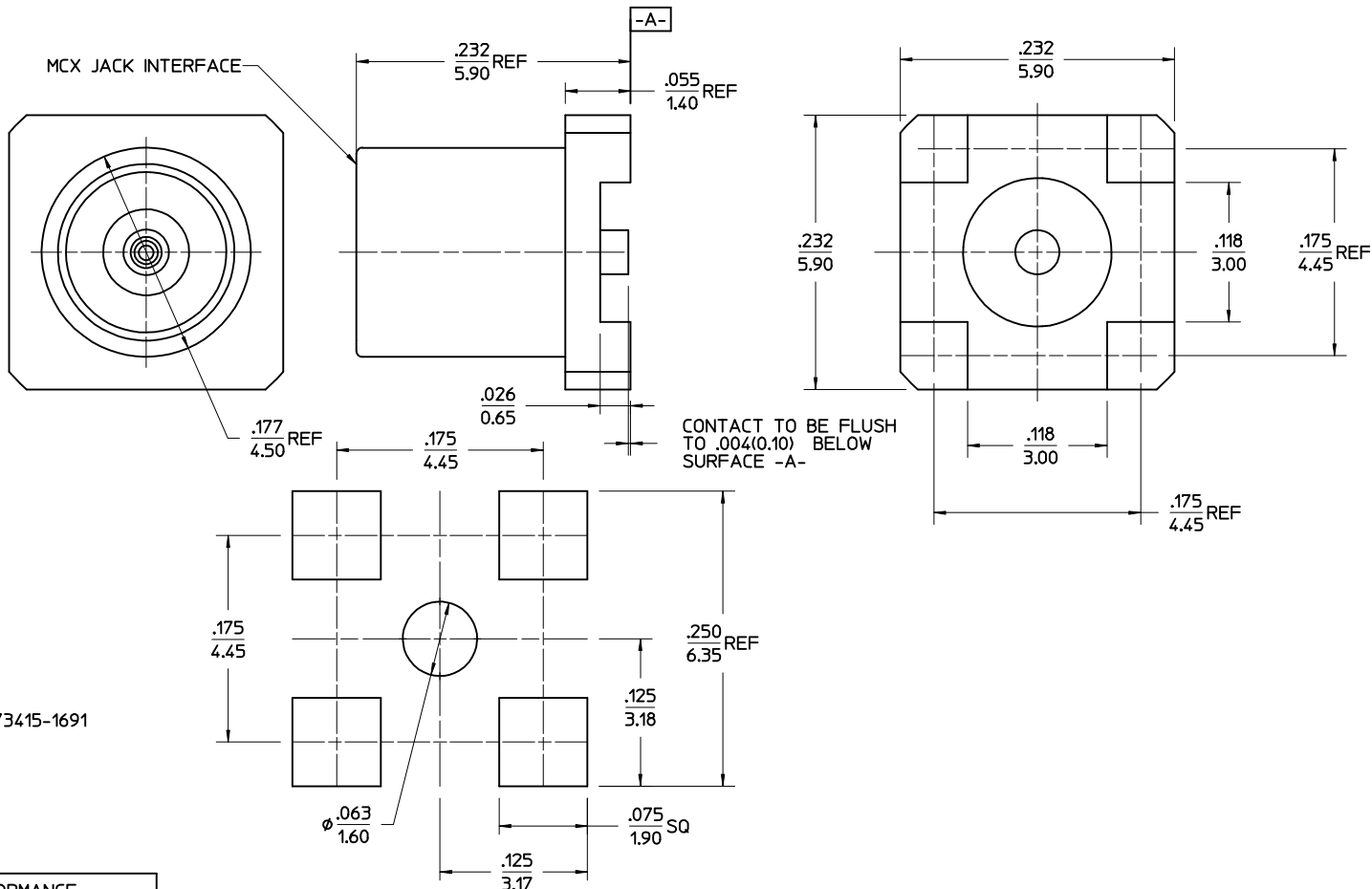
BODY: BRASS  
PLATED: GOLD (1-3 MICROINCH)

CONTACT: BeCu  
PLATED: GOLD (30-50 MICROINCHES)

INSULATOR: TEFLON

PART # 73415-1692

MATERIALS AND PLATINGS SAME AS 73415-1691  
TAPE MOUNTED. SEE SHEET 2



RECOMMENDED MOUNTING PATTERN

PS-89675-1910	ELECTRO/MECH PERFORMANCE
SPECIFICATION	DESCRIPTION

CHG: ADDED PLATING SURFACE -A- AND NOTE FLUSH TO .004(0.10)mm	EC NO URF-2087	DRWN: JFW 03/09/04	CHK: SSS 03/09/04	APPR: GMH 03/09/04	THICKNESSES FOR -1691 AND -1692
A3	EC NO URF-2046	DRWN: JFW 03/09/04	CHK: SSS 03/09/04	APPR: JFW 03/09/04	A2
REV DESCRIPTION					

- UNLESS OTHERWISE SPECIFIED DIMS ARE INCHES AND ANGLES ARE DEGREES.
- ✓ 63 ALL OVER.
  - NO CHATTER OR NON-UNIFORM SURFACE FINISH ALLOWED.
  - PARTS TO BE FREE OF BURRS & SHARP EDGES .005 MAX BREAK.
  - EXTERNAL THREADS TO BE ROLLED OR SINGLE POINT.
  - DIAMETERS TO BE CONCENTRIC WITHIN .003 TIR.

QUALITY SYMBOLS
MAJOR
CRITICAL

GENERAL TOLERANCES: (UNLESS SPECIFIED)	
mm	INCH
4 PLACES	± .0005
3 PLACES	± .005
2 PLACES	± .01
1 PLACE	± .1
ANGULAR: ±2°	
DRAFT WHERE APPLICABLE MUST REMAIN WITHIN DIMENSIONS	

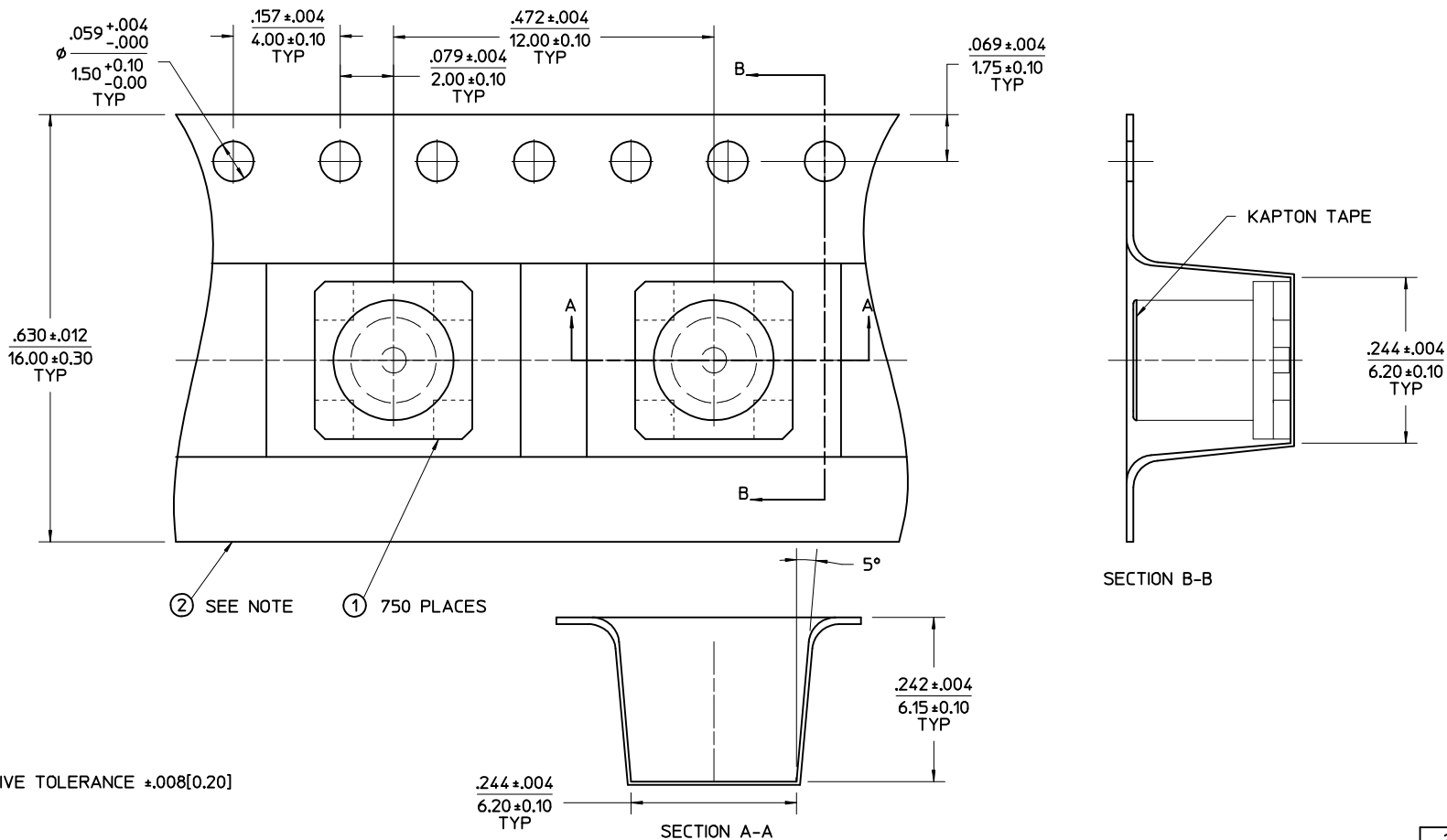
SCALE	DESIGN UNITS
	<input type="checkbox"/> mm <input checked="" type="checkbox"/> INCH
DRAWN BY & DATE	
LMB 11/09/00	
CHECKED BY & DATE	
SSS 11/09/00	
APPROVED BY & DATE	
GMH 11/09/00	
DESIGN REVIEW	
XXX 00/00/00	

DIMENSIONS:		1	A3
<input type="checkbox"/> mm	<input checked="" type="checkbox"/> INCH	SHT	REV
<input type="checkbox"/> INCH	<input type="checkbox"/> mm	REVISE ON CAD ONLY	
TITLE:			
MCX, PCB/SMT JACK, 50 OHMS			
MCX-J/PCB/SMT			
MOLEX INCORPORATED			
MATERIAL NO.	DRAWING NO.	SHEET NO.	
SEE NOTE	SD-73415-169	1 of 2	
THIS DRAWING CONTAINS INFORMATION THAT IS PROPRIETARY TO MOLEX INCORPORATED AND SHOULD NOT BE USED WITHOUT WRITTEN PERMISSION.			SIZE
			B

MATERIALS AND FINISHES

PART # 73415-1692

MOUNTING TAPE  
MCX JACK 73415-1691



② SEE NOTE      ① 750 PLACES

NOTE:

10 PITCHES CUMULATIVE TOLERANCE ±.008[0.20]

A3 SEE SHEET 1	DESCRIPTION	UNLESS OTHERWISE SPECIFIED DIMS ARE INCHES AND ANGLES ARE DEGREES. 1. ✓ 63 ALL OVER. 2. NO CHATTER OR NON-UNIFORM SURFACE FINISH ALLOWED. 3. PARTS TO BE FREE OF BURRS & SHARP EDGES .005 MAX BREAK. 4. EXTERNAL THREADS TO BE ROLLED OR SINGLE POINT. 5. DIAMETERS TO BE CONCENTRIC WITHIN .003 TIR.	QUALITY SYMBOLS MAJOR CRITICAL	GENERAL TOLERANCES: (UNLESS SPECIFIED)		SCALE	DESIGN UNITS	THIRD ANGLE PROJECTION	DIMENSIONS:		2	A3
				mm	INCH	mm	INCH		mm	INCH	mm	ONLY
	REV					DRAWN BY & DATE TEF 04/19/99		TITLE: MCX, PCB/SMT JACK, 50 OHMS MCX-J/PCB/SMT				
						CHECKED BY & DATE DHG 04/19/99						
						APPROVED BY & DATE GMH 04/19/99		MATERIAL NO. SEE NOTE	DRAWING NO. SD-73415-169	SHEET NO. 2 of 2		
						DESIGN REVIEW XXX 00/00/00						
				DRAFT WHERE APPLICABLE MUST REMAIN WITHIN DIMENSIONS		THIS DRAWING CONTAINS INFORMATION THAT IS PROPRIETARY TO MOLEX INCORPORATED AND SHOULD NOT BE USED WITHOUT WRITTEN PERMISSION.						